

V6 and V6s, platform stairlifts

ECO-FRIENDLY & CONNECTED,
WITH ALL THE RELIABILITY AND
TAILORED EXPERIENCE PROVIDED BY VIMEC

MORE THAN 50,000 INCLINED PLATFORMS
INSTALLED WORLDWIDE



archiproducts
DESIGN AWARDS
2022

WINNER



vimec
Designed for Life

vimec ACCESSIBILITY



ADVANCED USER EXPERIENCE

- **FULLY AUTOMATIC**
Any kind of user or attendant can move the machine easily
- **ERGONOMIC CONTROLS**
On board controls and radio handset for attendant are designed with the aim to be simple
- **SOFT TOUCH PUSHBUTTONS**
The full area of pushbutton is sensitive to help users with limited hand mobility
- **LED BARS WITH DIFFERENT COLOURS**
The status and the availability of the unit are communicated by different colours

- **CUSTOMISABLE**
The cover surface can be coloured or wrapped to ensure a perfect blend with the installation environment
- **MAGNETIC KEY**
Ready-to-use, full safety device to set the usage policies
- **MY VIMEC APP**
The end user can manage the machine and exchange data with smartphone
- **RESCUE MODE**
In case of danger or blockage on the stairs, the unit can be closed easily and put in full safety mode



SAFE & RELIABLE

- **300 kg STANDARD LOADING CAPACITY**
- **EN 8140 FEATURES**
State-of-the-art technologies for the main details, provided as a standard in each unit
- **INTERBLOCKED FOLDABLE ARMRESTS**
To protect the user, the bars resist to a pressure of 70 Newton both upwards and downwards
- **DOUBLE CHAIN SYSTEM**
- **PROTECTION RATE IP 44**
Long term resistance against the weather conditions
- **EASY TO TRANSPORT**
Compact packaging for optimal transport management



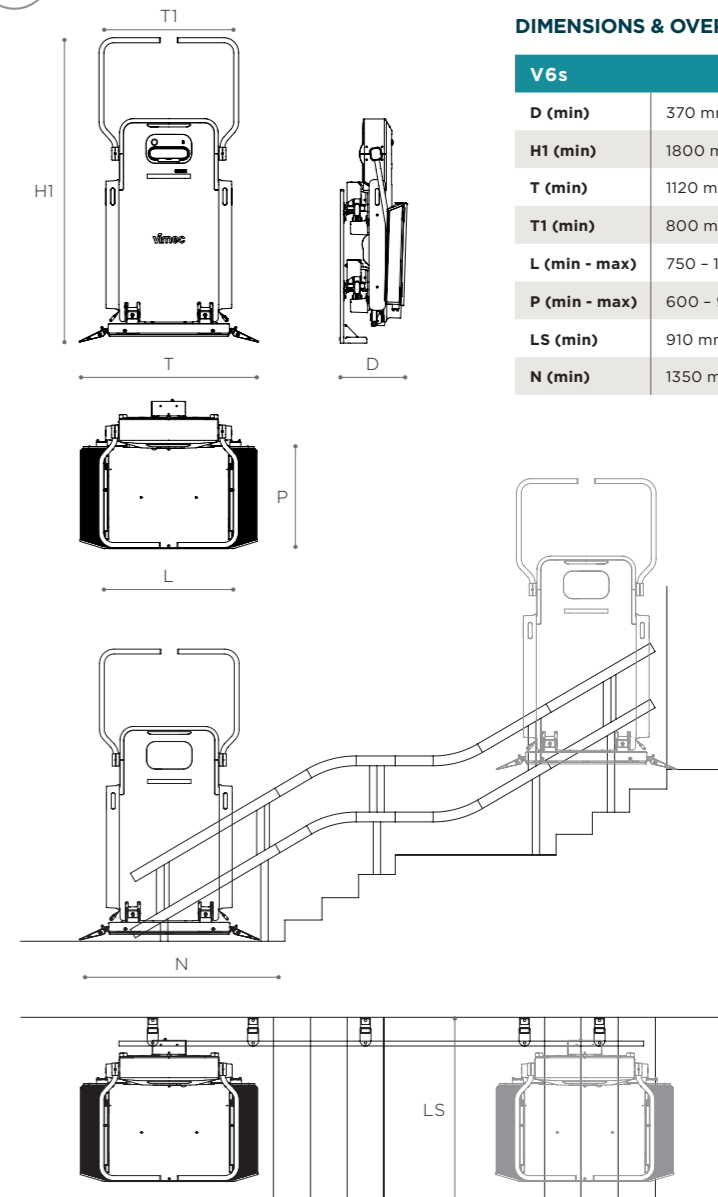
FLEXIBLE & SMART

- **< 1 m STAIRCASES**
V6S can be installed in narrow staircases
- **NO NEED OF EXTRA-SPACES**
to install motor boxes
- **GREAT STABILITY**
The traction is provided with special tilting system and rollers to ensure a stable and smooth run
- **NOISELESS**
<50 dB sliding on rails



ECO-FRIENDLY DESIGN & CONNECTED

- **EMERGENCY OPERATIONS ON TOP OF THE MACHINE**
Few quick steps to secure the machine
- **OUTDOOR PROOF**
From +50° to -20° tested resistance
- **ALUMINUM HEART AND BODY**
To provide the best performance in any environment
- **95% OF OF RECYCLABLE MATERIALS**
- **DISPLAY**
Real time communication both for user/technician
- **MYVIMEC APP**
A powerful app available both for installers and end user
- **CLOUD**
Technicians are supported by remote fleet management



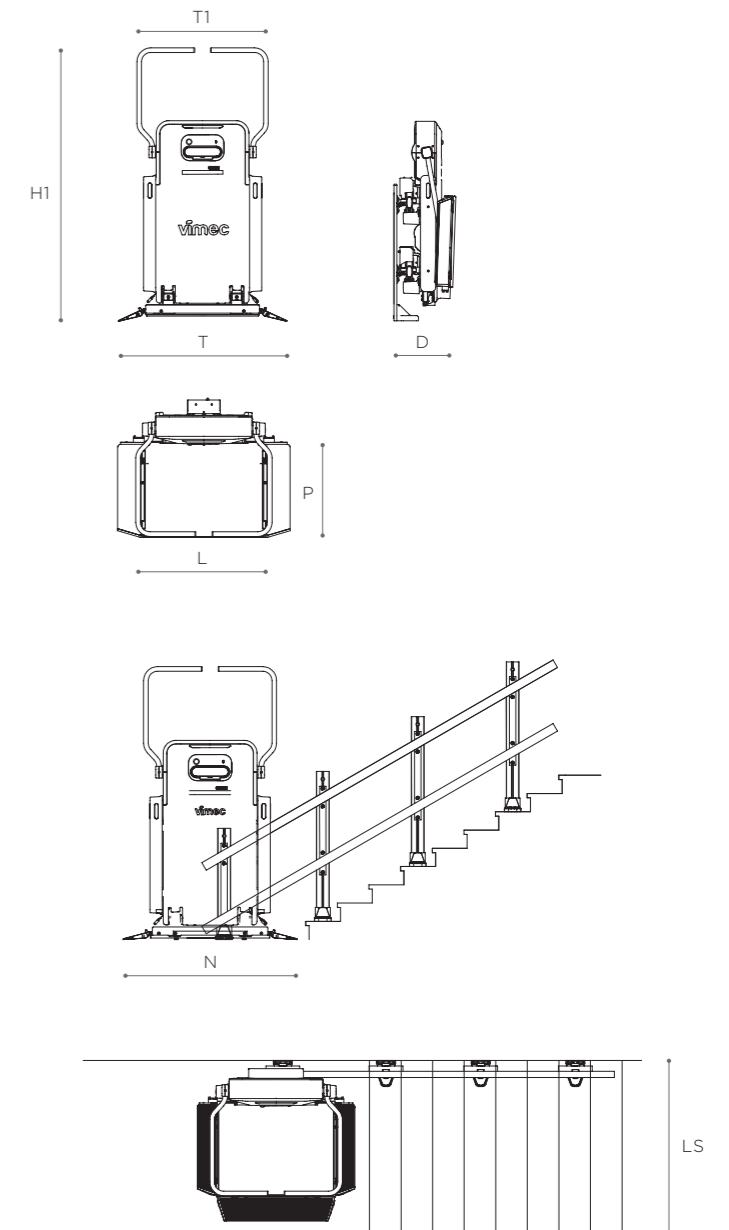
DIMENSIONS & OVERALL SPACES

V6s	
D (min)	370 mm
H1 (min)	1800 mm
T (min)	1120 mm
T1 (min)	800 mm
L (min - max)	750 - 1250 mm
P (min - max)	600 - 900 mm
LS (min)	910 mm
N (min)	1350 mm



DIMENSIONS & OVERALL SPACES

V6	
D (min)	385 mm
H1 (min)	1800 mm
T (min)	1120 mm
T1 (min)	804 mm
L (min - max)	750 - 1250 mm
P (min - max)	600 - 900 mm
LS (min)	890 mm
N (min)	1350 mm



Technical data

V6 - V6s



ON-BOARD DISPLAY

MYVIMEC APP

REMOTE PUSH BUTTONS



Watch the video
Download the technical sheet



STANDARD FEATURES

- CONSTANT PRESSURE ERGONOMIC CONTROLS WITH EXTENDED ACTIVE AREA
- 8 PLATFORM DIMENSIONS
- FULLY AUTOMATIC
- ON-BOARD DISPLAY
- INFORMATIVE LED LIGHTS
- 2 STANDARD COLOURS: PAPYRUS WHITE OR ANTHRACITE GREY
- MYVIMEC APP FOR END USER AND INSTALLER
- SUPPORTING HANDLE
- REMOVABLE MAGNETIC KEY EMERGENCY STOP

- INTERLOCKED FOLDABLE BARS
- RESCUE MODE - MANUAL EMERGENCY MANOEUVRE IN CASE OF MACHINE BLOCKED ON THE STAIRS
- DOUBLE CHAIN TRACTION SYSTEM
- PROGRESSIVELY OPERATED MECHANICAL SAFETY GEAR AND SPEED LIMITER
- AUTOMATIC SAFETY EDGES
- ELECTRIC SAFETY LIMIT SWITCHES
- SHOCK-ABSORBING, ANTI-SHEARING, ANTI-CRUSHING DEVICES
- REMOTE FLOOR CONTROLS

OPTIONS

- PROTECTIVE COVER
- CUSTOMISABLE COLOURS AND GRAPHICS
- GATEWAY FOR CLOUD CONNECTION (IOT)
- EN 81-40 COMPLIANT FOOT GUARD FRONT ACCESS
- AUDIBLE "LIFT IN MOTION" ALARM
- INTERMEDIATE STOPS
- FOLDING SEAT
- POST FOR REMOTE FLOOR CONTROLS
- RADIO CONTROLS FOR THE ACCOMPANYING PERSON

TECHNICAL DATA

	V6s	300 KG VERSION	225 KG VERSION
A	MINIMUM STAIR WIDTH	1000	960
B	GRADIENT	FROM 0° TO 50°	
C	GUIDE SIZE (MM)	80x40	50x30
D	MINIMUM SIZE OF RAIL (MM)	135	100
E	MINIMUM SIZE WITH FOLDED PLATFORM (MM)	380	350
F	PLATFORM DIMENSIONS	750x600, 750x650, 750x700, 800x700, 900x700, 1000x800, 1000x900, 1250x800	
G	CAPACITY UP TO 45°	300 KG	225 KG
H	CAPACITY BEYOND 45°	250 KG	225 KG
I	SPEED	0,10 m/s	
J	BATTERIES POWER SUPPLY	24 Vdc	
K	MAX POWER CONSUMPTION	1 Kw	
L	RESCUE MODE	FEW SIMPLE STEPS TO SECURE THE MACHINE	
M	LED LIGHTS COMMUNICATION SYSTEM	DELIVERING RELEVANT INFO BOTH TO INSTALLER AND END USER	
N	ON BOARD DISPLAY	DELIVERING RELEVANT INFO BOTH TO INSTALLER AND END USER	
O	MYVIMEC APP	AVAILABLE BOTH FOR INSTALLERS AND END USER	

TECHNICAL DATA

	V6	
A	MINIMUM STAIR WIDTH	890
B	GRADIENT	FROM 0° TO 45°
C	GUIDE SIZE (MM)	80x40
D	MINIMUM SIZE OF RAIL (MM)	95
E	MINIMUM SIZE WITH FOLDED PLATFORM (MM)	385
F	PLATFORM DIMENSIONS	750x600, 750x650, 750x700, 800x700, 900x700, 1000x800, 1000x900, 1250x800
G	CAPACITY UP TO 40°	300 KG
H	CAPACITY BEYOND 40°	225 KG
I	SPEED	0,10 m/s
J	BATTERIES POWER SUPPLY	24 Vdc
K	MAX POWER CONSUMPTION	0,2 Kw
L	RESCUE MODE	FEW SIMPLE STEPS TO SECURE THE MACHINE
M	LED LIGHTS COMMUNICATION SYSTEM	DELIVERING RELEVANT INFO BOTH TO INSTALLER AND END USER
N	ON BOARD DISPLAY	DELIVERING RELEVANT INFO BOTH TO INSTALLER AND END USER
O	MYVIMEC APP	AVAILABLE BOTH FOR INSTALLERS AND END USER

EN 8140 FEATURES

V6 - V6s	COMMI
FLAME RETARDANT AND SELF-EXTINGUISHING MATERIALS	5.1.4.
OVERLOAD SENSOR	5.1.6.2
SAFETY COEFFICIENT 2,5 FOR MOST LOAD-BEARING COMPONENTS	5.1.7
IP 44	5.1.8.2
DOUBLE CHAIN SYSTEM WITH SAFETY SENSOR	5.4.1.5
DRIVING PINION SAFETY FACTOR	5.4.5.1
ANTI-TRAPPING AND ANTI-CRUSHING GUARDS	5.4.8.5
LED LIGHTS VISUAL SIGNALS	5.5.16.2
ANTI-SLIP WALKABLE SURFACE	5.6.4.1
FOOTGUARD 75 MM	5.6.4.4.3
HANDRAIL	5.6.4.5.2
GAPS BETWEEN BARS = 100 MM	5.6.4.5.3
INTERLOCKED ARMS 70N	5.6.4.7.7

IN CONFORMITY WITH THE EUROPEAN DIRECTIVE 2014/30/CEE - EMC. IN CONFORMITY WITH THE EUROPEAN DIRECTIVE 42/2006/CEE - MACHINERY DIRECTIVE (MANUFACTURER'S CERTIFICATION). THIS DATA IS INDICATIVE AND NOT BINDING. VIMEC RESERVES THE RIGHT TO CHANGE THE SPECIFICATIONS WITHOUT PRIOR NOTIFICATION.



VIMEC srl
Via Parri, 7 | 42045 Luzzara (RE) | Italy
info@vimec.biz | www.vimec.biz

ESPAÑA | VIMEC IBERICA
ACCESIBILIDAD S.L.
vimeciberica@vimec.biz
www.vimec.es

FRANCE | VIMEC FRANCE
ACCESSIBILITÉ S.A.R.L.
france@vimec.biz
www.vimecfrance.fr

GREAT
BRITAIN | VIMEC
ACCESSIBILITY L.T.D.
vimecuk@vimec.biz
www.vimechomelifts.co.uk

DEUTSCHLAND | VIMEC
LIFTSYSTEME GMBH
deutschland@vimec.biz
www.vimec.de

POLSKA | VIMEC POLSKA
SP.Z.O.O.
vimecpolska@vimec.biz
www.vimecpolska.pl

Company subject to management and coordination by Investmentaktiebolaget Latour.

